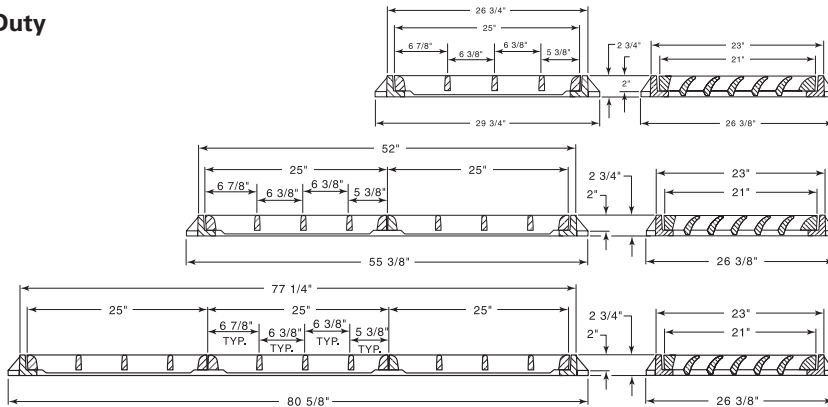


■ Note: When specifying/ordering grates, refer to "Choosing the Proper Inlet Grate" on pages 125-126.
 For a complete listing of FREE OPEN AREAS and WEIR PERIMETERS of all NEENAH grates, refer to pages 327-332.

R-3900 Series Bridge Approach Drain Frame, Grate

Heavy Duty



Triple Unit, R-3900-D

CATALOG NUMBER	GRATE TYPE	SQ. FT. OPEN	WEIR PERIMETER LINEAL FEET
R-3900-B	L	1.9	7.7
R-3900-C	L	3.8	11.8
R-3900-D	L	5.7	16.0

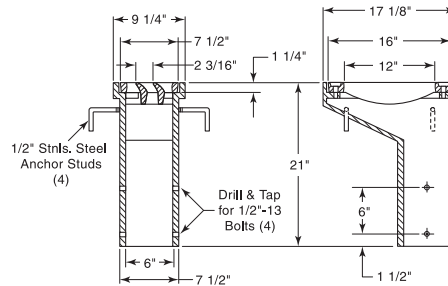
Catalog No.	Type
R-3900-B	Single Unit
R-3900-C	Double Unit
R-3900-D	Triple Unit

Grate(s) furnished in Ductile Iron grade 100-70-03.

R-3910-V Bridge Drain Frame, Grate

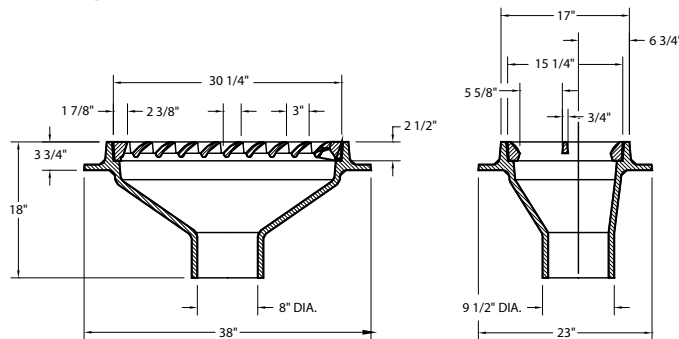
Heavy Duty

CATALOG NUMBER	GRATE TYPE	SQ. FT. OPEN	WEIR PERIMETER LINEAL FEET
R-3910-V	V	0.3	3.1



R-3918 Bridge Drain Frame, Grate

Heavy Duty



CATALOG NUMBER	GRATE TYPE	SQ. FT. OPEN	WEIR PERIMETER LINEAL FEET
R-3918	L	0.44	7.6

Supplied By:

**TRENCHDRAIN
 SUPPLY**
 877-903-7246

www.trenchdrainsupply.com